

TX7930

Handheld Programmer Installation and Operation Manual



Product Safety

To prevent severe injury and loss of life or property, read the instruction carefully before using the handheld programmer ensure proper and safe operation of the system.



European Union directive

2012/19/EU (WEEE directive): Products marked with this symbol cannot be disposed of as unsorted municipal waste in the European Union. For proper recycling, return this product to your local supplier upon the purchase of equivalent new equipment, or dispose of it at designated collection points.

For more information please visit the website at www.recyclethis.info

Disclaimer

The information in this manual is furnished for informational use only and subject to the change without notice. While every effort has been made to ensure that the information contained in this user manual is accurate, reliable and up to date. The TANDA Technology cannot be held responsible for inaccuracies or error that may appear in this manual.

Document Improvement

There is always room for improvement, your comment will help us the quality of this manual. Do not hesitate to send report any error, inaccuracy or improvement request on this user document by email to info@tandauk.com

General Precautions

Do not use the TX7930 handheld programmer in any way or for any purpose not described in this manual.

Do not put any foreign objects into jack socket or batter compartment.

Do not clean the programmer with alcohol or any organic solvent.

Do not place the programmer in direct sunlight or rain, near heater or hot appliances, any location exposed to extremely high or low temperatures, high humidity, or dusty locations.

Do not expose the batteries to heat or flame. Keep the batteries out of reach of children, they are choking hazards and very dangerous if swallowed.

Table of Content

1 Introduction	4
1.1 Overview	4
1.2 Feature and Benefits.....	4
1.3 Technical Specification	4
1.4 Names and Location.....	5
2 Operation.....	5
2.1 Installing of Batteries	5
2.2 Connecting to the Device.....	6
3 Programming	8
3.1 To Read.....	8
3.2 To Write	8
3.3 To R/W Config.....	9
3.4 Set	10
4 Troubleshooting Guide	10
5 Returns and Warranty Policy.....	11

1 Introduction

1.1 Overview

The TX7930 is the general purpose programming tool use for TX7000 family products. This unit is designed to suit for entering device parameters such as address, sensitivity, mode and types to meet the site situation and environmental requirements. In addition, the programmer is capable to read the previous encoded parameters to use for testing application and troubleshooting purposes.

The TX7930 is miniature and robust design makes it convenient to bring in the work place. The programmer is packed with twin 1.5V AA battery and cable, ready for usage once received. Easy to understand the display and with functional keys allow easy single-button activation of the common used parameters.

1.2 Feature and Benefits

- Write, read and erase device parameters
- Pluggable cable with end alligator clip to hold tight the terminals
- LCD display and functional keys
- Low current consumption for longer battery lifespan
- Circuit protection against clip
- Auto power-off within 5 minutes

1.3 Technical Specification

- | | |
|-----------------------|--|
| • Battery Required | 2X1.5 AA / Included |
| • Current Consumption | Standby 0 μ A, In-use: 3mA |
| • Protocol | T&A |
| • Material / Colour | ABS / Grey Glossy finishing |
| • Dimension / LWH | 130 mm x 54 mm x28 mm |
| • Humidity | 0 to 95% Relative Humidity, Non condensing |

1.4 Names and Location

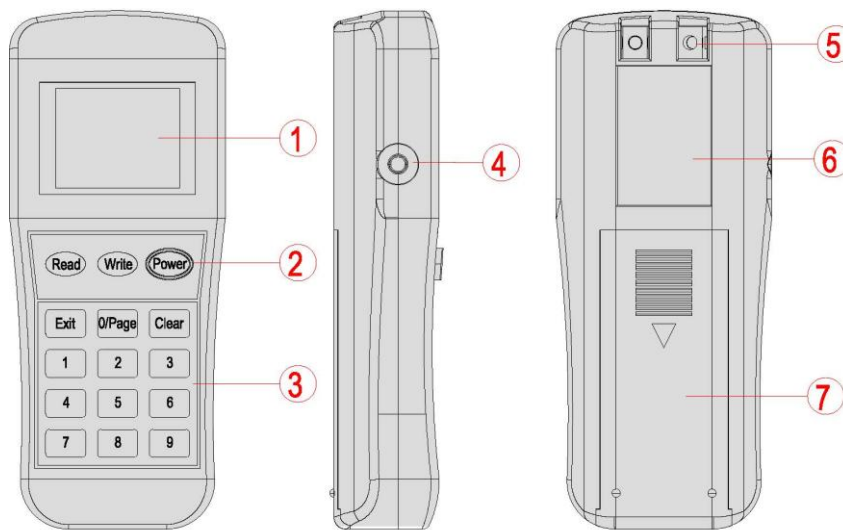


Figure 1

- | | |
|------------------------------|--|
| ① Data Display | 16 Characters, four-segment display shows the device address, set types and mode and ID value |
| ② Function Key | Allow easy single-button activation of the common used parameters such as exit , clear , page , read and write function |
| ③ Numerical Key | 0 to 9 keys used to enter numeric values |
| ④ Jack Socket | Location for male connector of programming cable |
| ⑤ Loop Terminal | Connection to signaling loop used for testing the loop wiring |
| ⑥ Label | Programmer details and specification |
| ⑦ Battery Compartment | Location for programmer batteries |

2 Operation

This programmer must be operated and maintained by a qualified or factory trained service personnel. Check the package contains before using your programmer.

Package contains the following:

1. TX7930 Programmer
2. Twin 1.5 AA Battery
3. Programming cable
4. Strap belt
5. User guide.

2.1 Installing of Batteries

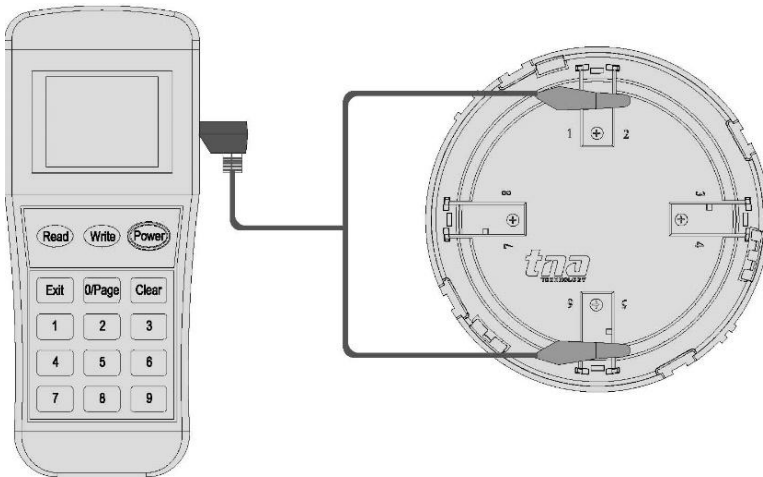
This programmer has been designed to allow changing the battery quickly and easily.

1. Remove the battery compartment cover and insert the two AA batteries.
2. Make sure the positive and negatives ends are facing the correct directions.
3. Close the battery cover and press down until it clicks into place.

Warning: Dispose the used batteries according to the local regulation.

2.2 Connecting to the Device.

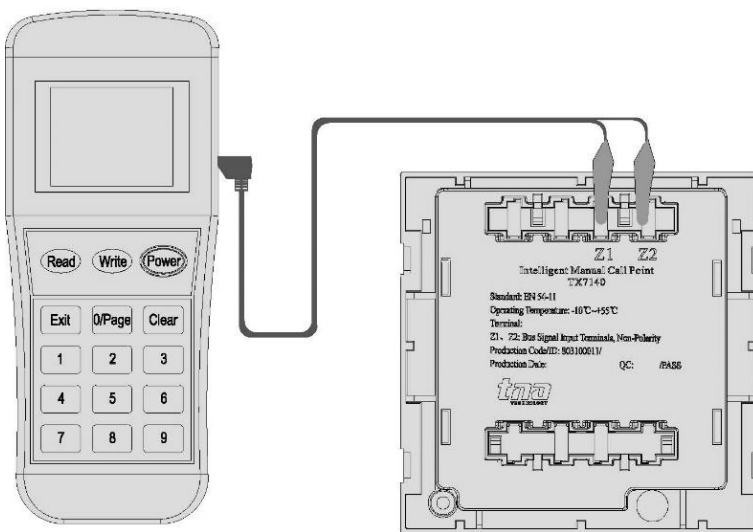
The programming cable has male connector and two alligator clips at both end. This clip is used to firmly hold the connection between the device terminal and programmer. During the programming process if the cable is loss contact with the device, it will display Fail on the programmer. It is recommended to be properly clipped the terminals before doing any programing. The programmer is not sensitive to the polarity; any of those clips can connect onto the signaling terminals of each device. Each type of device has different signaling terminal as follows:



Signaling Terminal:
Detector and Sounders

Connect the alligator clip to
terminal 1 (2) and 6 (5)

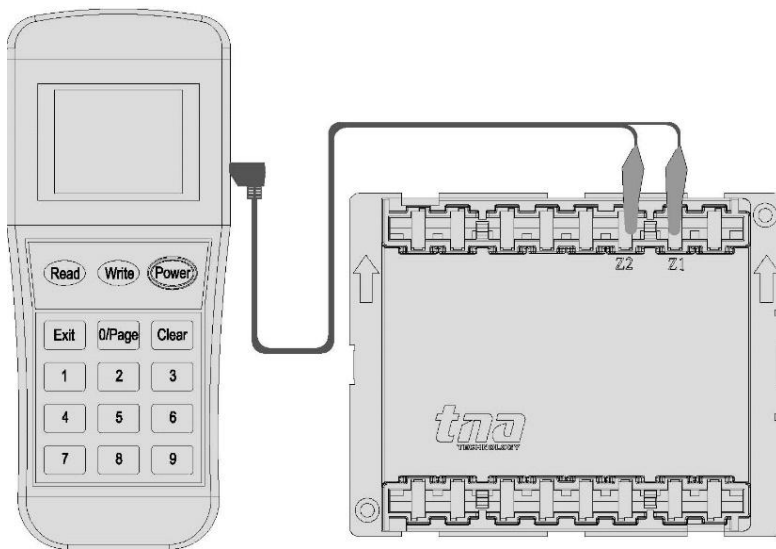
Figure 2



Signaling Terminal:
Manual Call Point

Connect the alligator clip to
terminal Z1 and Z2 (Marks)

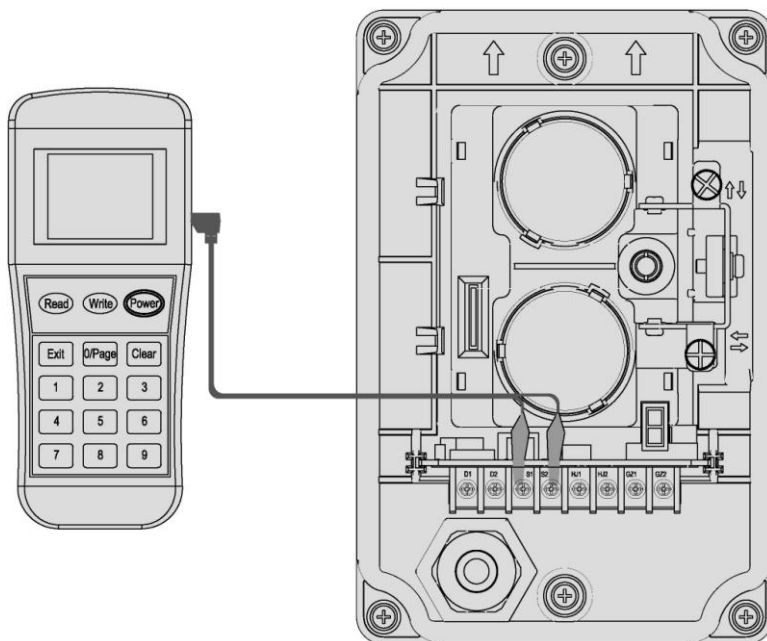
Figure 3



Signaling Terminal:
Interface Modules

Connect the alligator clip to
terminal Z1 and Z2 (Marks)

Figure 4



Signaling Terminal:
Beam Detector

Connect the alligator clip to
terminal S1 and S2 (Marks)

Figure 5

3 Programming

Note: The Tanda device are equipped with variety of features and options that user can select or program onsite according to the project requirement and application. This manual cannot contain all the information's for each device. We recommend referring to the specific device operation manual for more details.

For TX7100 Intelligent Optical Smoke detector refers to Operation Manual 4050100265
 For TX7110 Intelligent Heat Detector refers to Operation Manual 4050100263
 For TX7120 Intelligent Optical Smoke and Heat Detector refers to Operation Manual 4050100264
 For TX7130 Conventional Beam Detector refers to Operation Manual 4050100256
 For TX7140 Addressable Manual Call Point refers to Operation Manual 4050100269
 For TX7200 Addressable Input Module refers to Operation Manual 4050100266
 For TX7210 Addressable Input/output Module refers to Operation Manual 4050100267
 For TX7220 Addressable Dual Input/output Module refers to Operation Manual 4050100268
 For TX7300 Addressable Sounder Strobe refers to Operation Manual 4050100270
 For TX7320 Addressable Sounder refers to Operation Manual 4050100271

3.1 To Read

Selecting this feature allow user to view the device details and configurations. For example in TX7110 Intelligent Heat detector.

1. Switch-on the programmer, then press button **"Read"** or **"1"** to enter to **Read** mode (Figure 6). The programmer will display the configuration after few seconds. (Figure 7)
2. Press **"Exit"** key to go back Main Menu. Press **"Power"** key to switch off the programmer.

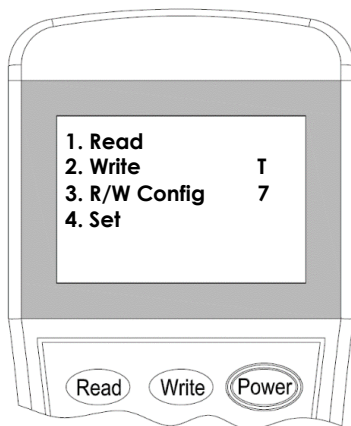


Figure 6

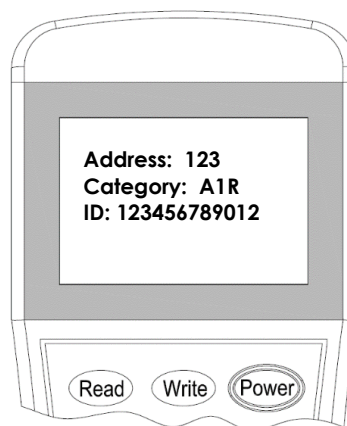


Figure 7

Read Description

Address: Unique number assigned
Category: Detector type
ID: Detector serial number

3.2 To Write

Selecting this feature allow user to write the new address number the device. For example in TX7100 Intelligent Optical Smoke detector.

1. Connect the programming cable to Z1 and Z2 terminals (Figure 2). Press **"Power"** to switch on the unit.
2. Switch-on the programmer, then press button **"Write"** or number **"2"** to enter Write Address mode (Figure 8).
3. Input the desire device address value from 1 to 254, and then press **"Write"** to save the new address (Figure 9).

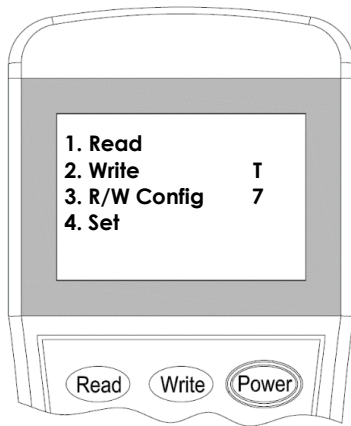


Figure 8

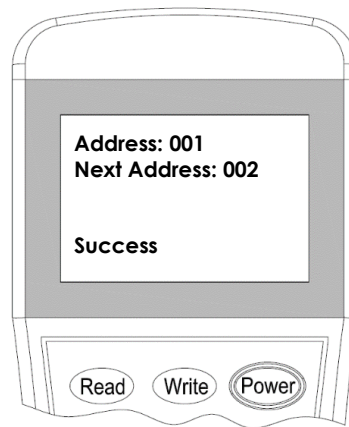


Figure 9



3.3 To R/W Config

Selecting this feature allow user to configure optional functions of a device such as distance, sounder type and others. For example in TX7130 Conventional Beam Detector.

1. Switch on the programmer, then press button “3” then display “**Sensitivity and Span (m)**” (Figure 10).
2. Then enter then press “0/Page” key to highlight the previous Span setting. Then press value from **1, 2, 3** or **4** correspond to the span value and then press “**Write**” key(Figure 11).

Note: If display “**Success**”, means the entered span is confirmed. If display “**Fail**”, means failure to program the span.

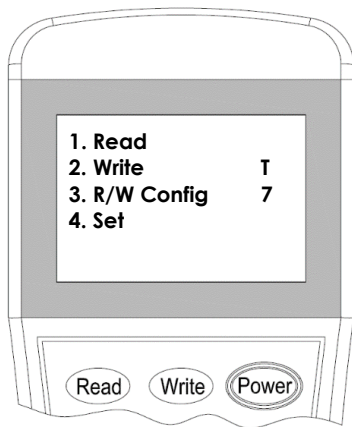


Figure 10

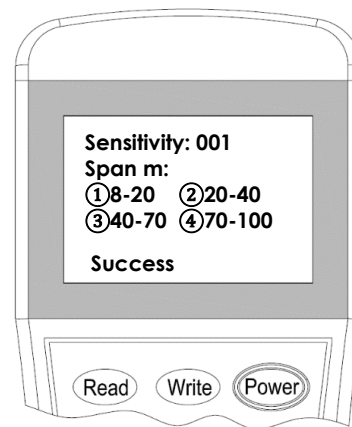


Figure 11

3.4 Set

Selecting this feature allow user to set other features such as tones selection or On and OFF the detector pulling LED as example of TX7100 Intelligent optical smoke detector.

1. Switch-on the programmer, then press button “4” to enter to **Setting** mode (Figure 12).
2. Input the “1” then press “Write” to change the setting (Figure 13) and LED will turn-off. To resume the default setting, press “Clear” and then press “Write”.
3. Press “Exit” key to go back Main Menu. Press “Power” to switch off the programmer.

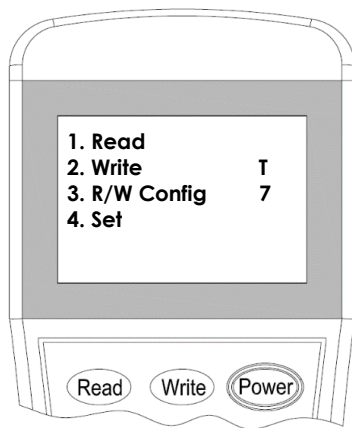


Figure 12

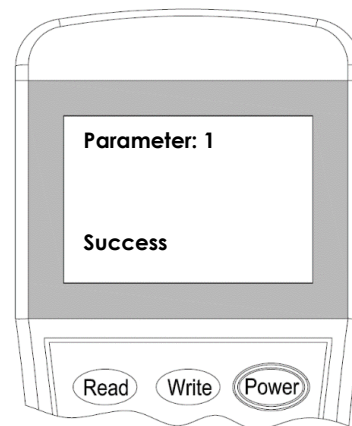


Figure 13

4 Troubleshooting Guide

What you notice	What it means	What to do
No display on the screen	Low Battery Loose connection with the battery	Replace the batteries Check the internal wiring
Unable to encode data	Loss connection Wrong connection Damage the electronic circuit of the device	Check the connection with the detector Select the appropriate signaling terminal of the device Check the continuity of the programming cable Try to other device

5 Returns and Warranty Policy

Warranty Policy

TANDA UK products are warranted to be free from defects in materials and workmanship for one [1] form the date of purchase from an authorized distributor or agent or two [2] years from the date of manufactured. Within this period, we will at our sole discretion, repair or replace any components that fail in normal use. Such repairs or replacement will be made at free of charge for parts and/or labour provided that you shall be responsible for any transportation charges. Replacement product may be new or refurbished at our discretion.

This warranty does not apply to consumable parts; damage cause by accident, abuse, misuse, flood, fire or other act of nature or external causes; damage caused by service performance by anyone who is not authorize agent or trained personnel; damage to a product that has been modified or altered without the prior written permission of TANDA UK.

Return

Please contact our Customer Service prior to returning any product to receive a return authorization form and RMA number. You will be responsible for, and pre-pay, all return shipping charges and shall assume all risk of loss or damage to product while in transit to us. We recommend that you use a traceable method of shipping for your protection. We will pay for shipping to return any product to you.

Email us info@tandauk.com to obtain an RMA number. Once you have obtained the RMA number, please send to us the purchased TNA product with the RMA number clearly marked on the outside of the package and on the shipping slip if you choose to use traceable carrier. Return shipping instruction and returns address will be included in your RMA documents.